



**Serenity**  
Sliding Door Systems

— MEET ACOUSTIC NEEDS

# MedSlide Pro

Featuring an STC 35 Rating, the MedSlide Pro delivers enhanced acoustic privacy for demanding healthcare environments.





- ✓ Maximizes Sound Control
- ✓ Enhances Patient Comfort & Privacy
- ✓ Secures with Locking Hardware

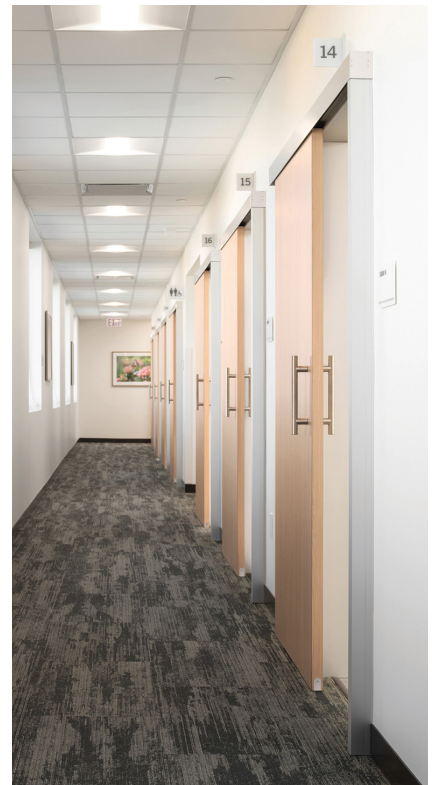


## Superior Acoustic Control Engineered for Performance

The MedSlide Pro provides an STC 35 rating, Serenity's highest level of sound control. Like the Plus model, it combines a Double Sound Seal with an Acoustic Door Bottom that drops into place when closed. The result is exceptional sound isolation and smooth operation—ideal for healthcare spaces, where privacy and comfort are essential.

## MedSlide Pro Features

-  **Surface-Mounted Design**  
Mounts flush to the wall for maximum space savings
-  **Soft Close / Soft Open**  
Provides smooth, controlled door movement
-  **STC 35 Rating**  
Provides the most sound protection and privacy
-  **Acoustic Door Bottom**  
Drops automatically to create a sound seal



### OPTIONAL UPGRADES

#### Key/Privacy Lockable

Meet your security needs with various lock types

#### Automatic Operator

Open and close the door automatically with access control hardware

#### Antimicrobial Hardware

Protect against germs with custom additives or specialty metals

	Mounting	Valance	Soft Close & Soft Open	Mechanical Spring Closer	Acoustic Door Bottom	Locking	Aluminum Door	Automatic Operator	Sidelite (Glass by Others)	Transom	STC	Smoke Rating
<b>MedSlide</b>	Surface	Squared or Sloped	Standard	--	Optional	Optional	Optional	--	--	--	--	--
<b>MedSlide Plus</b>	Surface	Squared or Sloped	Standard	--	Standard	Optional	--	Optional	--	--	STC26 <sub>1</sub>	--
<b>MedSlide Pro</b>	Surface	Squared or Sloped	Standard	--	Standard	Optional	--	Optional	--	--	STC35 <sub>2</sub>	--
<b>MedLift Slide</b>	Surface	Squared or Sloped	Standard	-	Optional	Optional	Optional	--	--	--	--	--
<b>PowerSlide</b>	Surface	Standard Valance	Standard	--	Optional	Access Control by Others	Optional	Standard <sub>3</sub>	Optional	--	Optional	--
<b>SurfaceView Slide</b>	Surface	Squared or Sloped	Standard	Optional	Optional	Optional	Optional	Optional	Standard	Optional	--	--
<b>EvenView Slide</b>	Flush	Fascia Only	Standard	--	Optional	Optional	Optional	--	Standard	Optional	--	--
<b>SmokeSlide</b>	Surface	Squared or Sloped	Soft Close Only	Standard	Standard	Optional	Optional	Optional	--	--	--	UL1784 <sub>4</sub>
<b>SecureSlide</b>	Surface	Squared or Sloped	Soft Close Only	Standard	Optional	Auto Latch Standard	Optional	Optional	Optional	Optional	--	--
<b>SyncSlide</b>	Surface	Squared or Sloped	Standard	--	Optional	Optional	Optional	Optional	Optional	--	--	--
<b>InnSlide</b>	Surface	Squared or Sloped	Standard	--	Optional	Inox BD1023 Jamb Mount	Optional	--	--	--	--	--

-- = Not Available

1 = Tested per ASTM E90 on a 48" x 84.5" operable door with an STC rating of 26. Performance may vary with other sizes; no guarantee is made without testing the specific configuration. Test results available [here](#).

2 = Tested per ASTM E90 on a 44" x 83.75" operable door with an STC rating of 35. Performance may vary with other sizes; no guarantee is made without testing the specific configuration. Test results available [here](#).

3 = Includes Record 7000 Series Automatic Opener

4 = Approved for door leaf sizes from 44" x 84" up to a maximum of 56" x 96" per the current UL 1784 listing. Performance applies only to doors built to the same configuration; changes to size, materials, or sealing details may affect results. Wood test results are available [here](#), and Aluminum test results are available [here](#).

## Surface Mount Formulas (Excluding SurfaceView & SyncSlide)

<b>Finished Frame (Inches)</b>	Frame Width = Clear Open Width + 5 Frame Height = Clear Open Height
<b>Rough Opening (Inches)</b>	Rough Open Width = Frame Width + 1.5 Rough Open Height = Frame Height + 1
<b>Door Slab (Inches)</b>	Slab Width = Clear Open Width + 8 Slab Height = Clear Open Height

## EvenView Formulas

<b>Finished Frame (Inches)</b>	Frame Width = Clear Open Width + 5.75 Frame Height = Clear Open Height + 2.75
<b>Sidelite (Inches)</b>	Minimum Sidelite Width = Clear Open Width + 1.5 Sidelite Height = Clear Open Height - 1.5
<b>Rough Opening (Inches)</b>	Rough Open Width = Finished Frame + Sidelite + 3 Rough Open Height = Finished Frame + 1
<b>Door Slab (Inches)</b>	Slab Width = Clear Open Width + 7.25 Slab Height = Clear Open Height

### Frame

- Standard frame depths are 5", 5-1/4", 5-1/2", 6-1/8" and 7-1/4". Please contact your local sales rep for questions regarding other frame sizes.
- The EvenView Slide frame is available only in a 4-7/8" depth; greater depths require a wall starter.
- Standard frame finishes are Clear and Black Anodized. All Powder Coat finishes are considered custom and subject to additional fees.

### Hardware

- Standard hardware package includes 12" back-to-back ladder pulls, dual soft-close mechanisms, and floor guide, unless otherwise specified in the table above; upgraded packages available at additional cost.
- Standard hardware finishes are 630/32D and 622/19. All other finishes are considered custom and subject to additional fees.
- Standard Schlage C cylinder in 26D finish included with keyed locksets; SFIC and LFIC housings available upon request (cores by others).
- Kenwa PS-12 Mechanical Spring Closer included with SmokeSlide and SecureSlide; optional on other systems at additional cost.

### Seals

- Triple fin trailing-edge seal included with all systems.
- Felt sound seals installed in receiving channel and track valance for added sound attenuation.
- Pemko Planet SN-RD series acoustic door bottom included on all STC & Smoke-rated openings; optional on other systems at additional cost.

## Supporting Documents

<b>Test Reports</b>	<b>Installation Manuals</b>	<b>Architectural Specifications</b>
<a href="#">Link</a>	<a href="#">Link</a>	<a href="#">Link</a>

## Product Technical Information

Call Out	Frame		Rough Opening		Door Slab		Track
	Width (Inches)	Height (Inches)	Width (Inches)	Height (Inches)	Width (Inches)	Height (Inches)	Length (Inches)
2-8 x 6-8 <sub>1</sub>	37	80	38.5	81	40	80.5	75
3-0 x 6-8 <sub>1</sub>	41	80	42.5	81	44	80.5	83
3-0 x 7-0 <sub>1</sub>	41	84	42.5	85	44	84.5	83

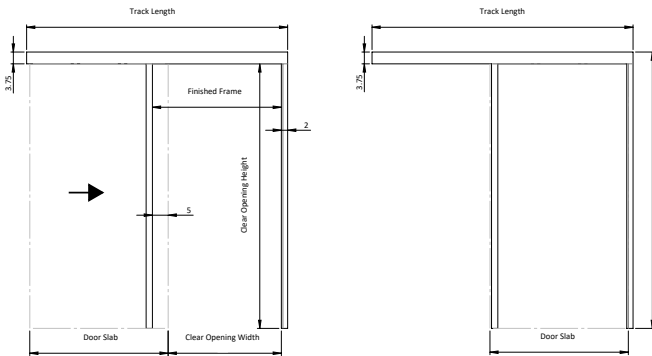
Call Out	Wood Door Slab			Wood Door Weight (Pounds)
	Width (Inches)	Height (Inches)	Thickness (Inches)	STC45 Rigidcore EXLC (Req'd for STC35 Rating)
2-8 x 6-8 <sub>1</sub>	40	80.5	1-3/4	248
3-0 x 6-8 <sub>1</sub>	44	80.5	1-3/4	272
3-0 x 7-0 <sub>1</sub>	44	84.5	1-3/4	286

1 = Tested per ASTM E90 on a 44" x 83.75" operable door with an STC rating of 35. Performance may vary with other sizes; no guarantee is made without testing the specific configuration. Test results available [here](#).

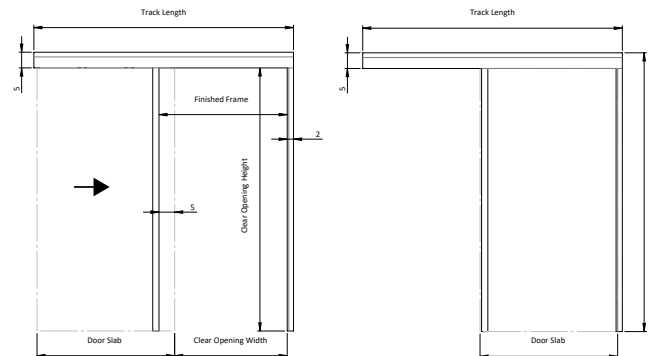
\*\* Dimensions listed are for reference only and do not represent the full range of available sizes. Please consult your Serenity Sliding Door Systems sales representative for assistance with specific sizing requirements.

## Elevations

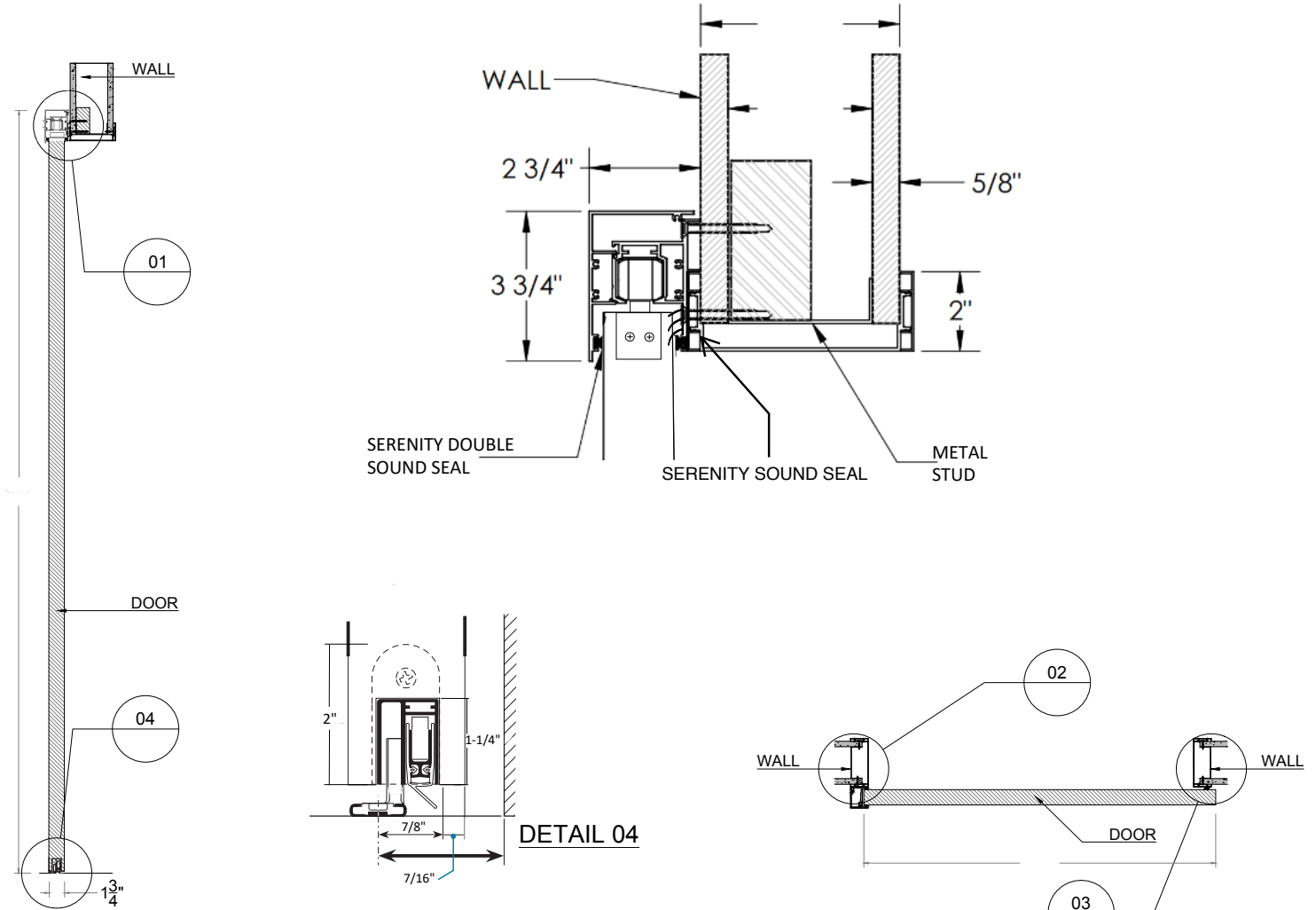
MedSlide Pro with Squared Valance



MedSlide Pro with Sloped Valance

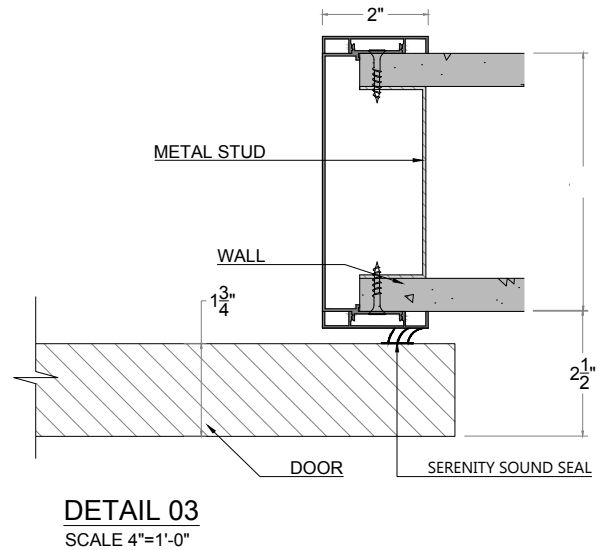
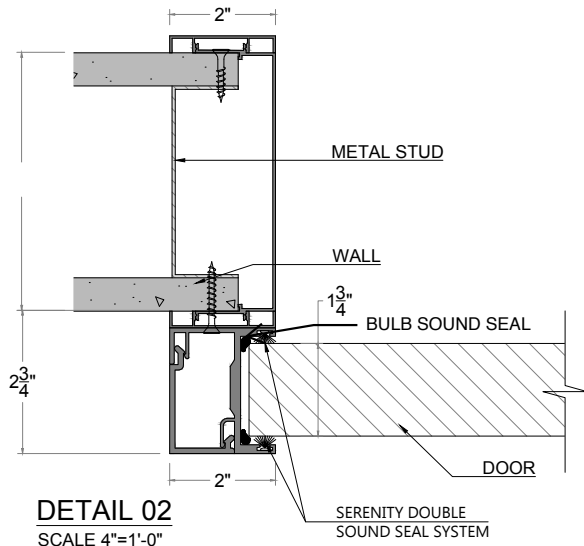


**Details - Squared Valance**

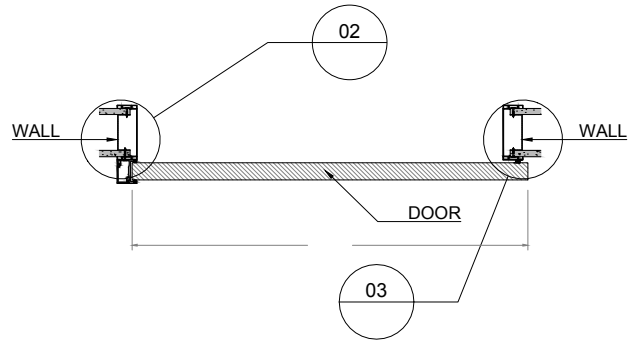
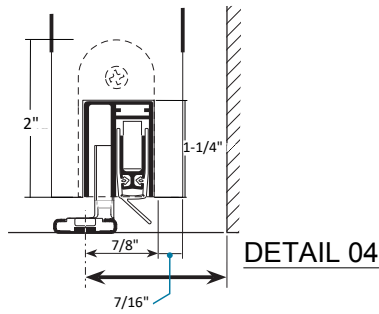
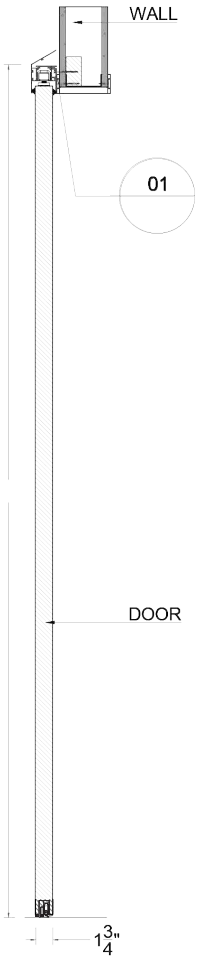
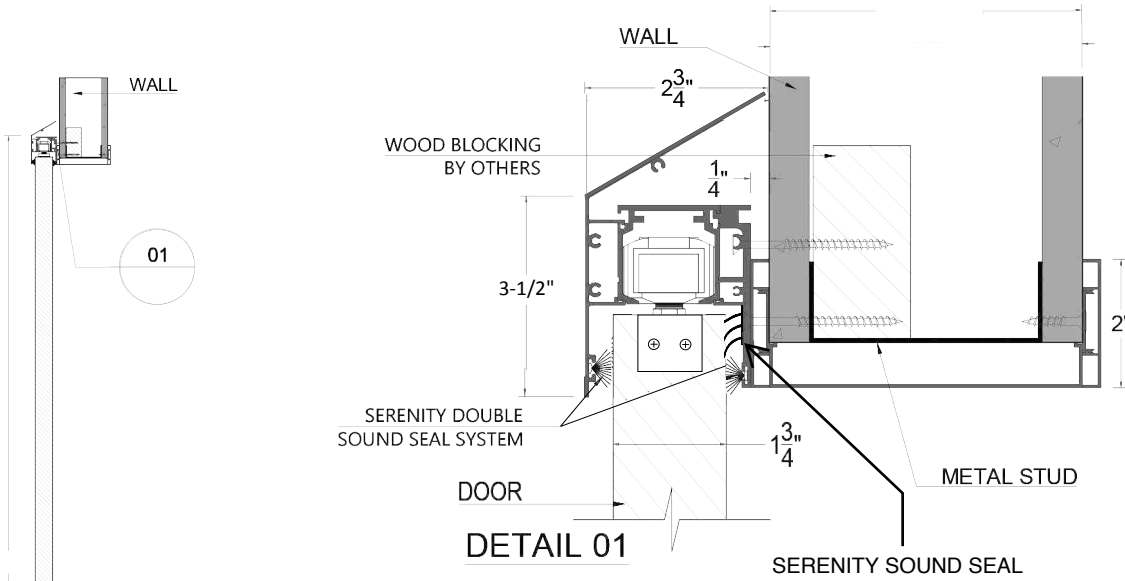


**VIEW A - A**  
SCALE  $\frac{3}{4}$ "=1'-0"

**VIEW B - B**  
SCALE  $\frac{3}{4}$ "=1'-0"



**Details - Sloped Valance**



**VIEW A - A**  
SCALE 3/4"=1'-0"

**VIEW B - B**  
SCALE 3/4"=1'-0"

