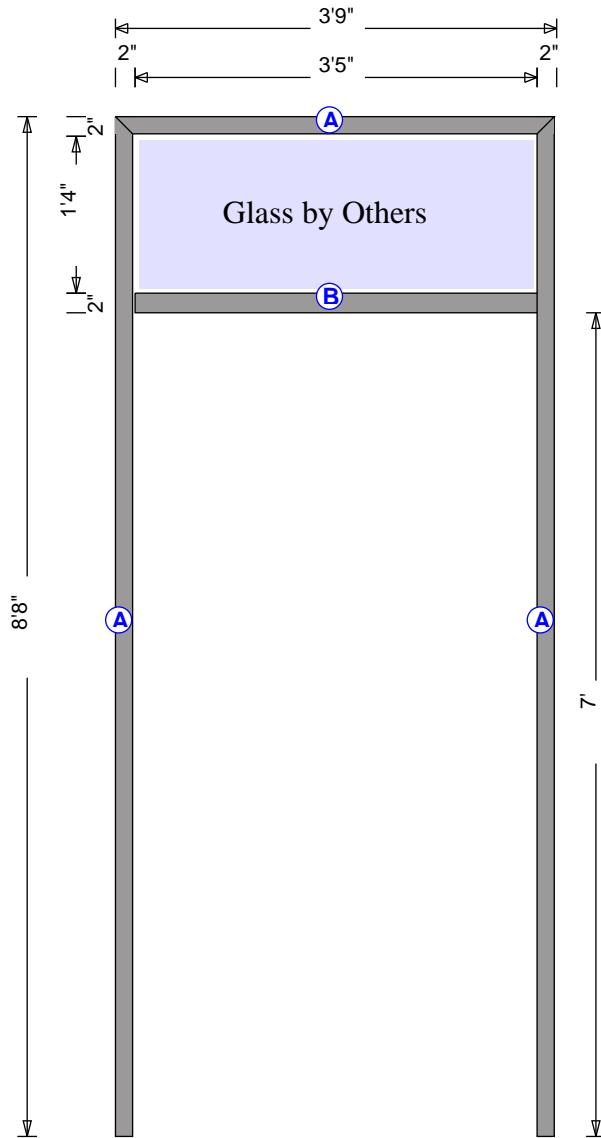
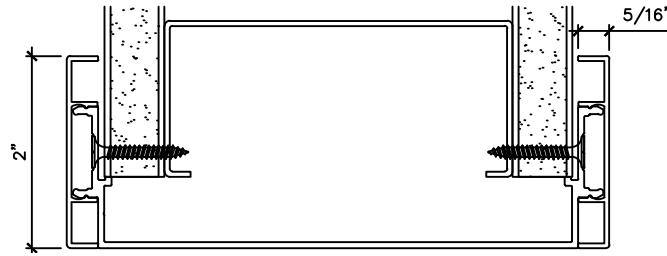


Frame Elevations

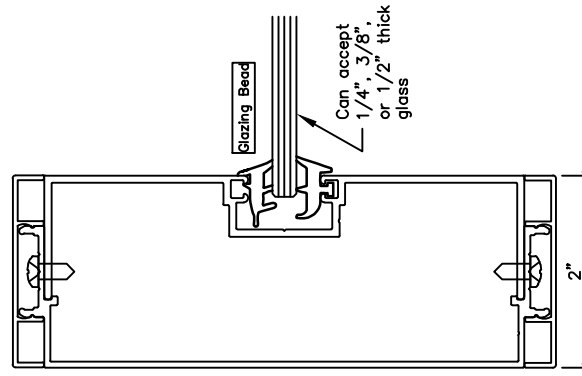
Elevation: TRSM



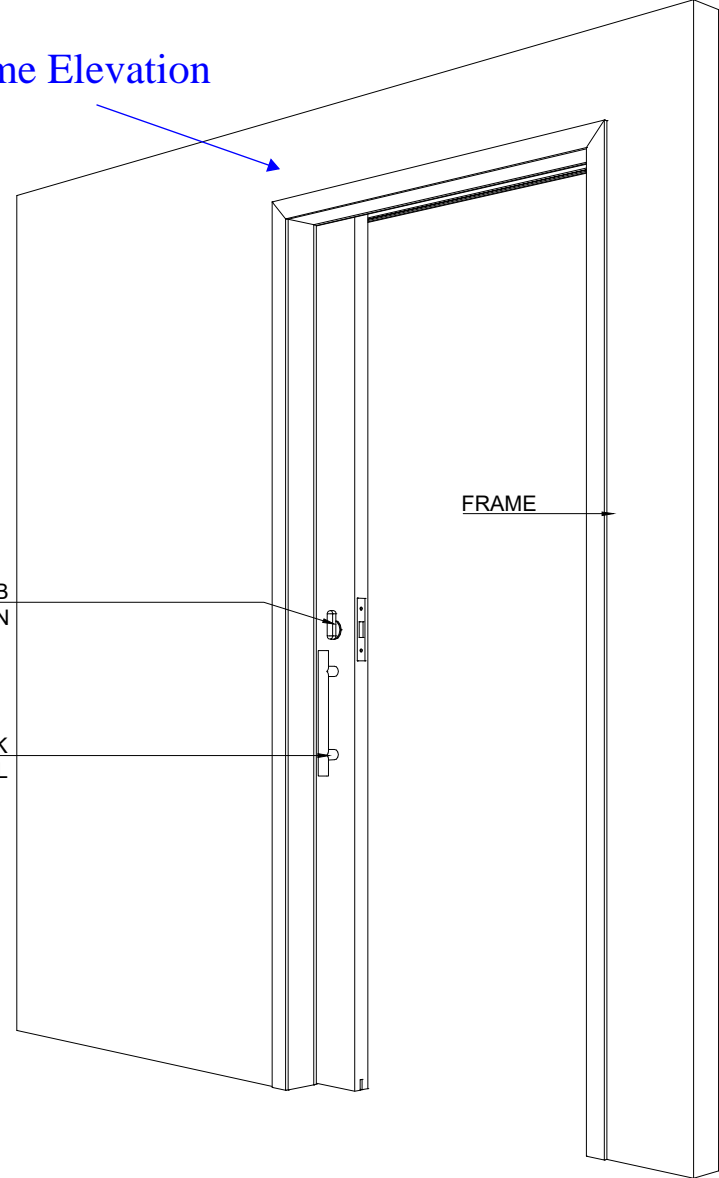
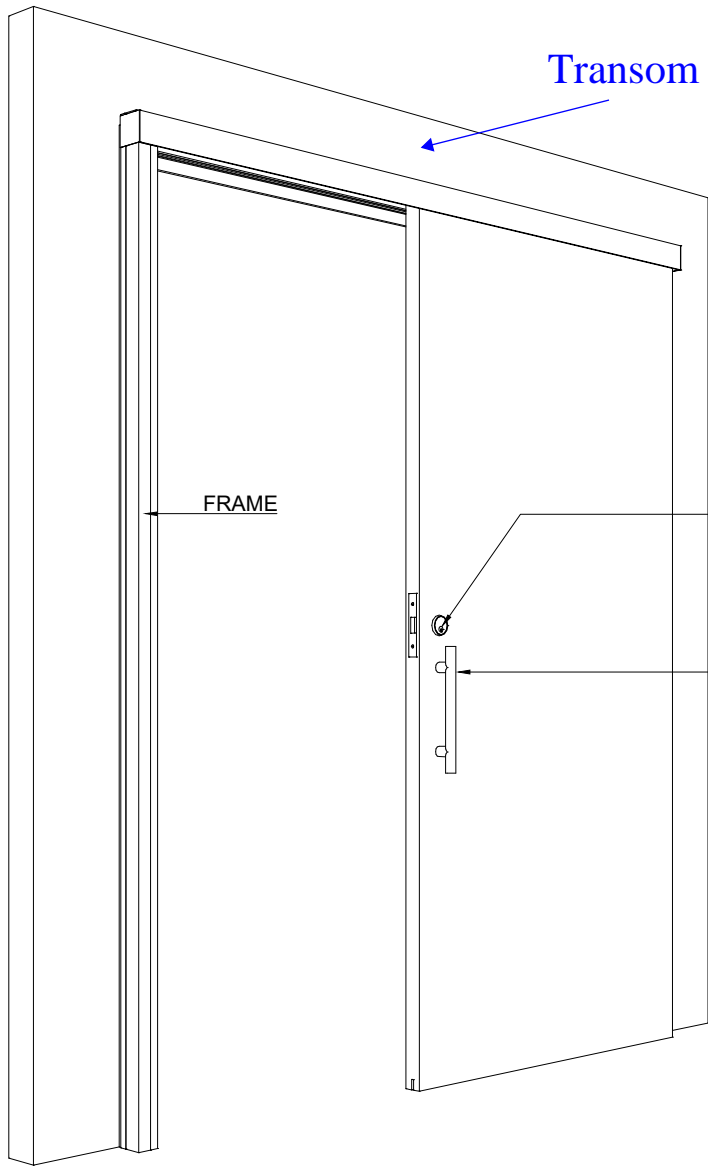
A



B



Transom above per Frame Elevation



PERSPECTIVE 1 - FRONT

PERSPECTIVE 2 - BACK

PROJECT:
SERENITY SLIDING DOOR

DESCRIPTION:
PERSPECTIVE VIEWS

DATE:
03-19

SCALE:
NOT SCALE

SHEET:
01



Serenity Sliding Door Systems
637 Elkton Drive
Colorado Springs, CO 80907
PH 719.434.8670 FX 719.434.7885

Serenity

Sliding Door Systems

