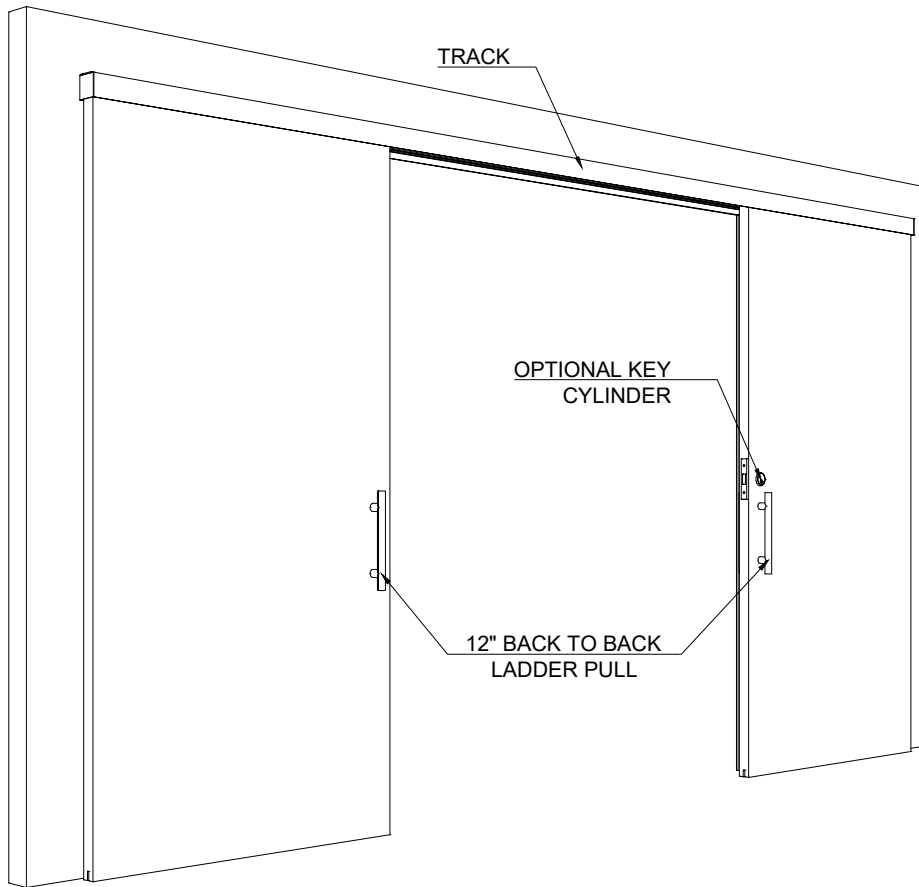
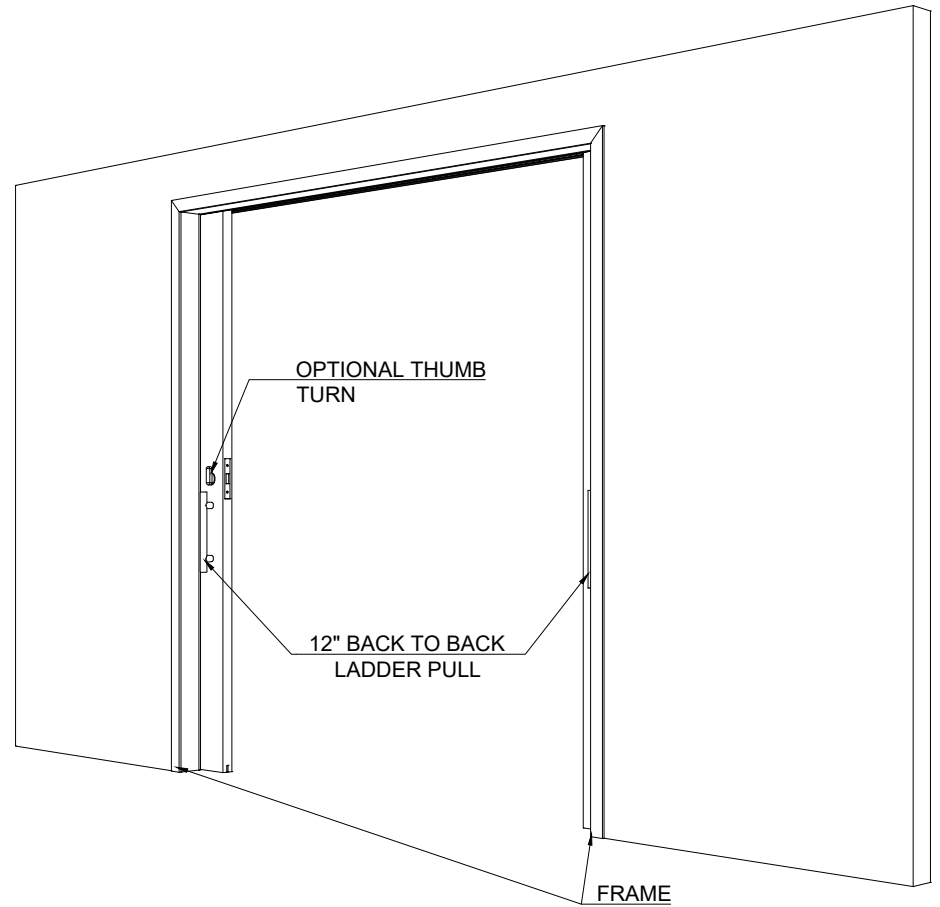


SIMULTANEOUS BI-PARTING PAIR



PERSPECTIVE 1 - FRONT



PERSPECTIVE 2 - BACK

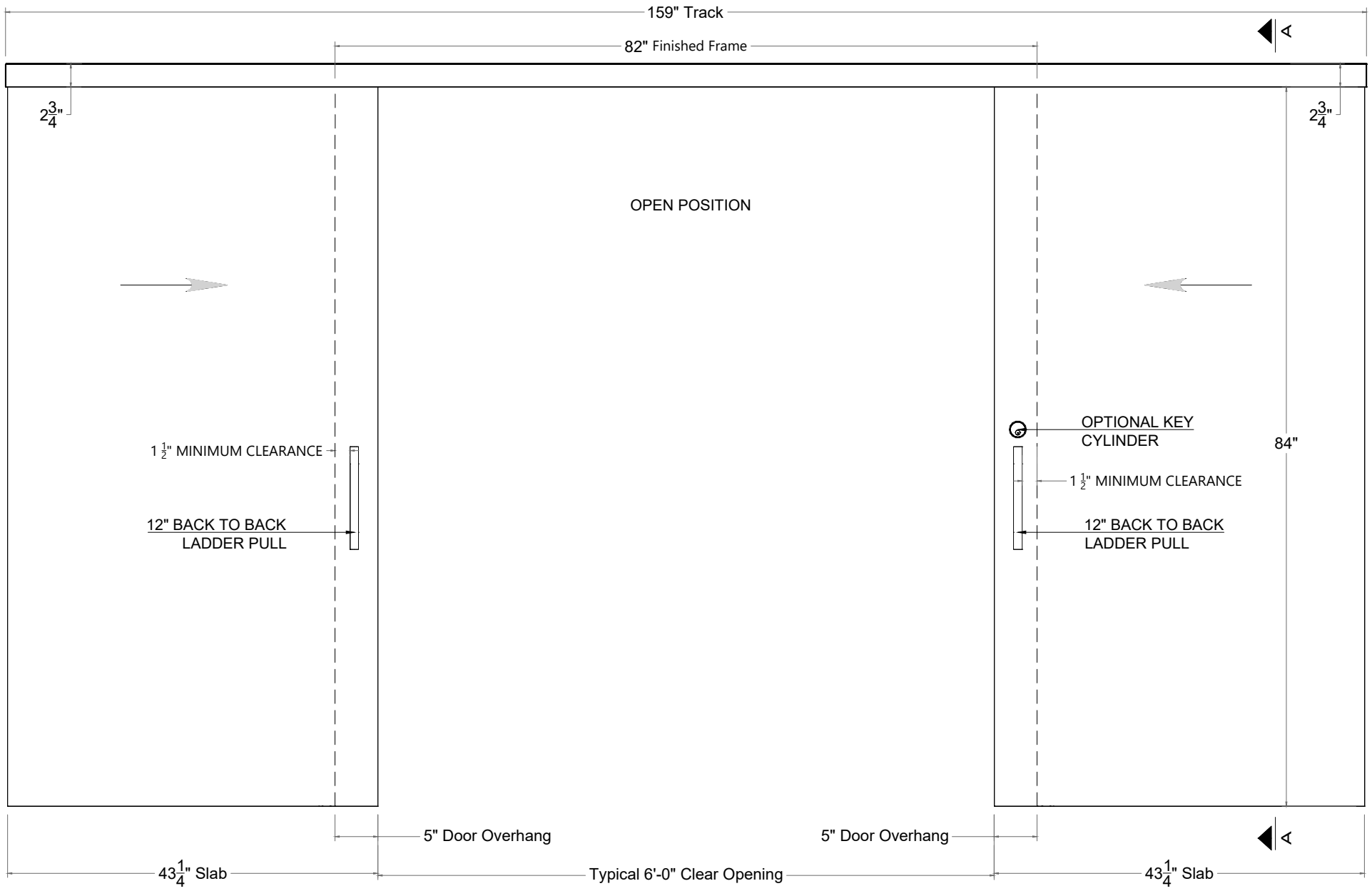
PROJECT:
SERENITY BIPARTING DOOR

DESCRIPTION:
PERSPECTIVE VIEWS

DATE:
04-19

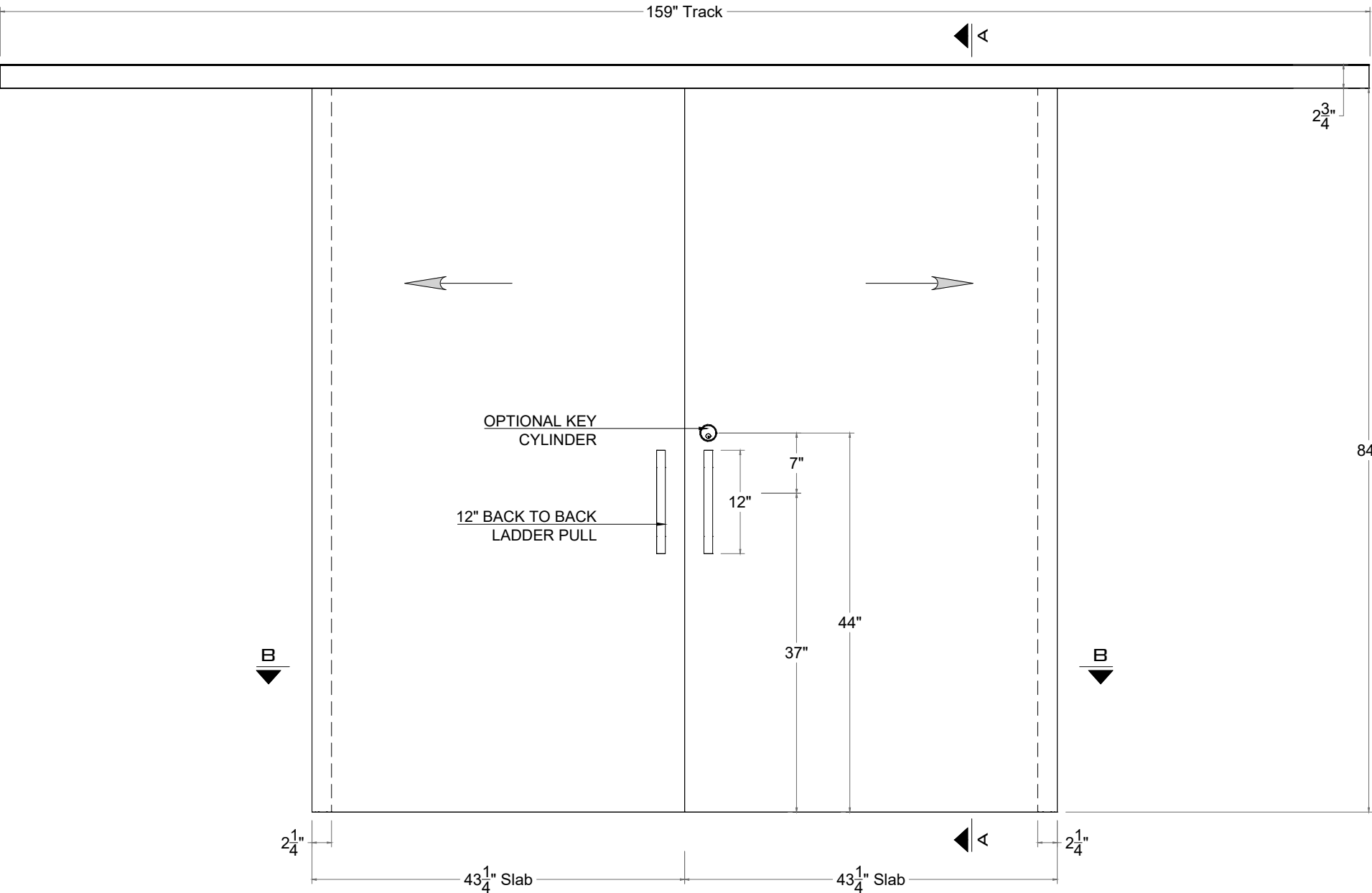
SCALE:
NOT SCALE

SHEET:
01



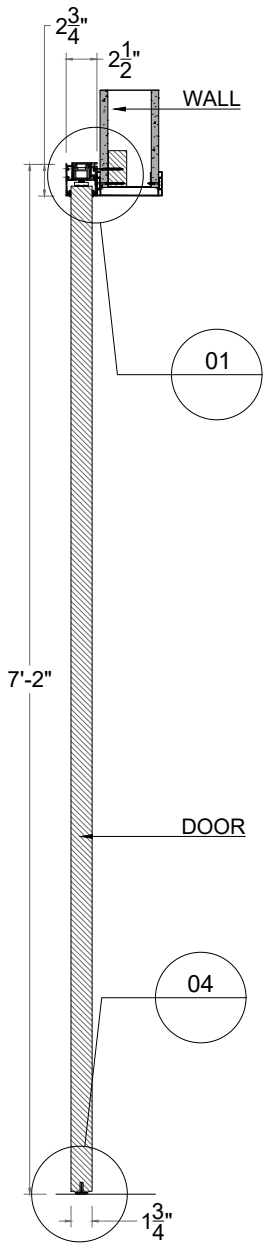
FRONT VIEW - OPEN DOOR VIEW

PROJECT: SERENITY BIPARTING DOOR	DESCRIPTION: ELEVATIONS	DATE: 04-19	SCALE: 3/4" = 1'-0"	SHEET: 02
--	-----------------------------------	-----------------------	-------------------------------	---------------------

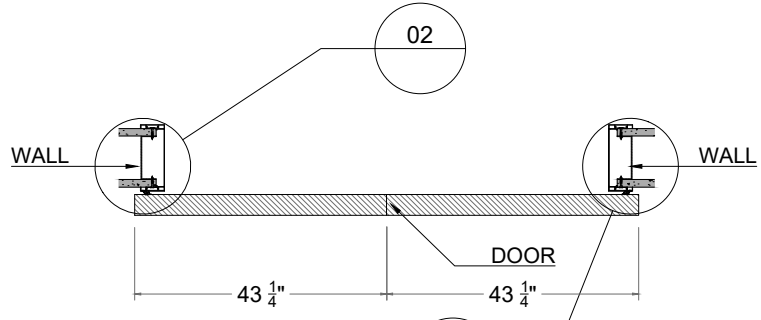


FRONT VIEW - CLOSE DOOR VIEW

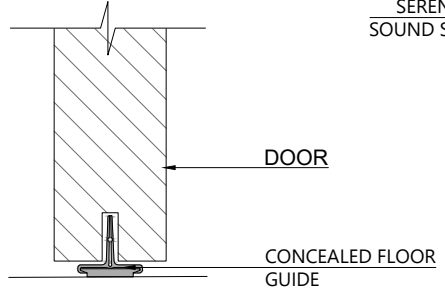
PROJECT: SERENITY BIPARTING DOOR	DESCRIPTION: ELEVATIONS	DATE: 04-19	SCALE: 3/4" = 1'-0"	SHEET: 03
--	-----------------------------------	-----------------------	-------------------------------	---------------------



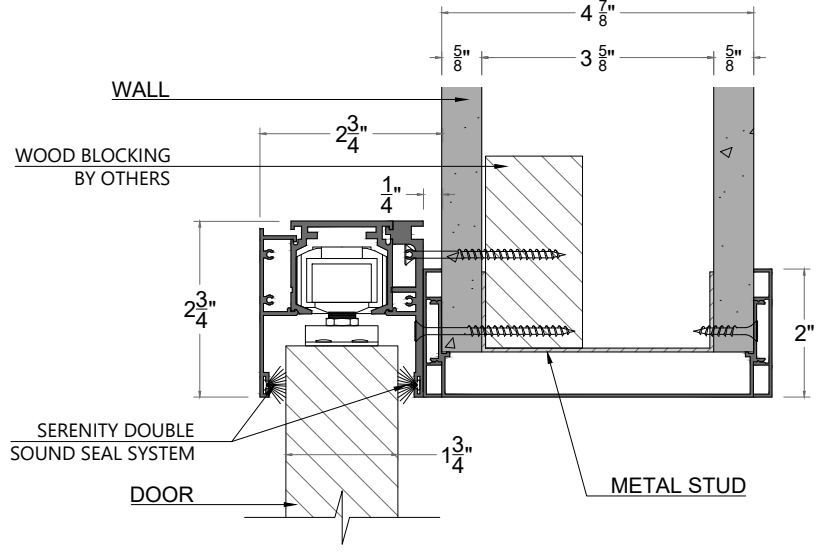
VIEW A - A
SCALE 3/4"=1'-0"



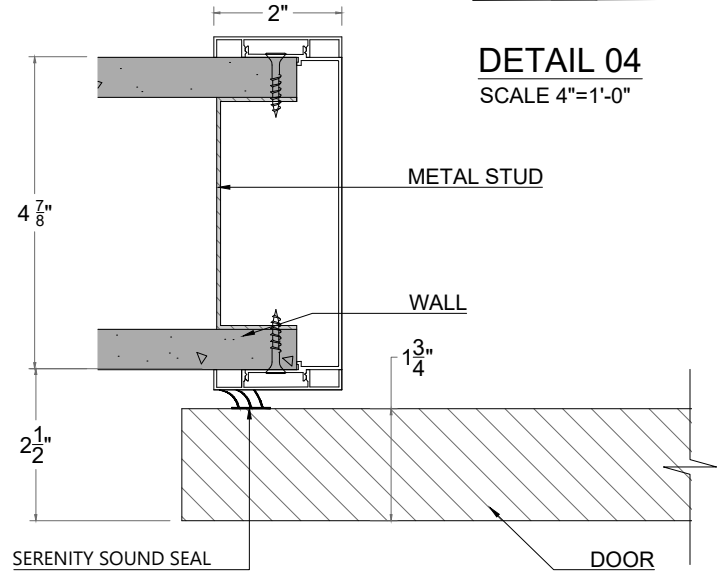
VIEW B - B
NOT SCALE



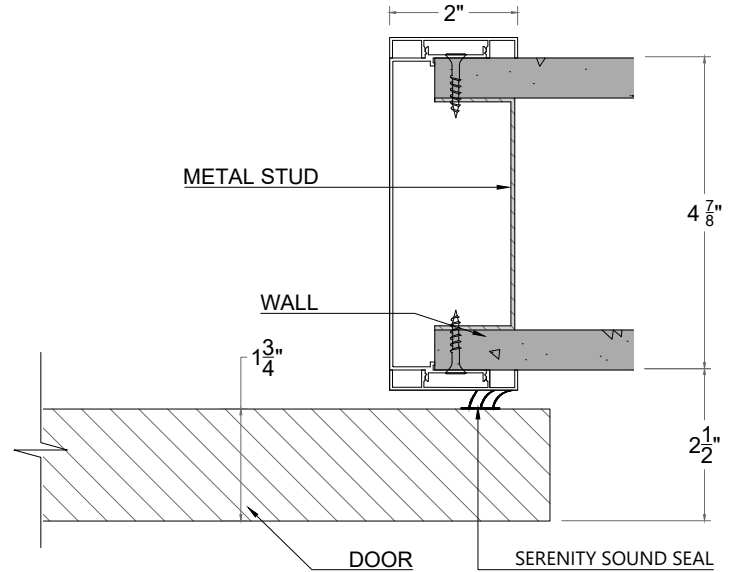
DETAIL 04
SCALE 4"=1'-0"



DETAIL 01
SCALE 4"=1'-0"

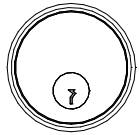


DETAIL 02
SCALE 4"=1'-0"



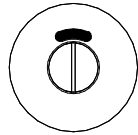
DETAIL 03
SCALE 4"=1'-0"

PROJECT: SERENITY BIPARTING DOOR	DESCRIPTION: DETAILS	DATE: 04-19	SCALE: AS SHOWN	SHEET: 04
--	--------------------------------	-----------------------	---------------------------	---------------------



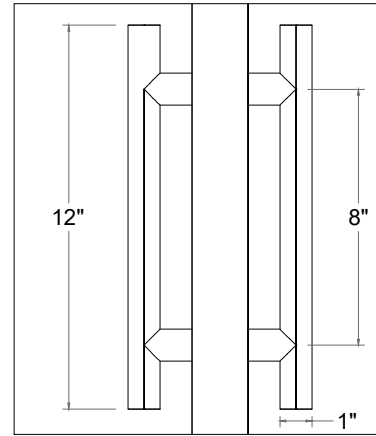
OPTIONAL KEY CYLINDER

SCALE 4"=1'-0"



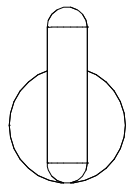
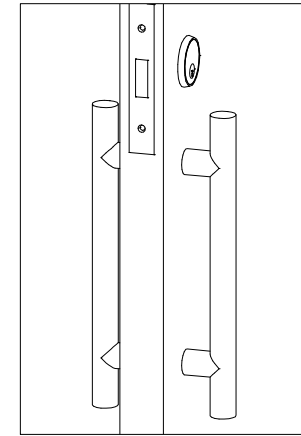
OPTIONAL PRIVACY INDICATOR

SCALE 4"=1'-0"



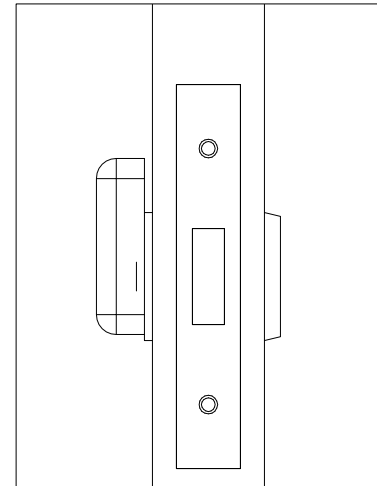
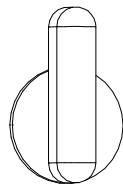
12" BACK TO BACK LADDER PULL

SCALE 2"=1'-0"



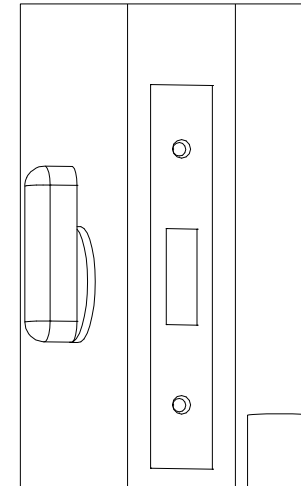
OPTIONAL THUMB TURN

SCALE 4"=1'-0"



SMALL MORTISE LOCK

SCALE 4"=1'-0"



PROJECT:
SERENITY BIPARTING DOOR

DESCRIPTION:
DETAILS

DATE:
04-19

SCALE:
AS SHOWN

SHEET:
05