



# Serenity COMPLETE

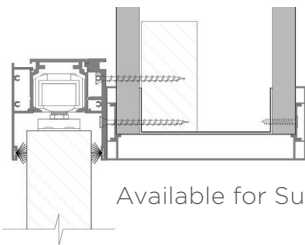
By Serenity Sliding Door Systems

Serenity Complete offers complete systems with a variety of options in only eight weeks.

For systems or components with even shorter lead times, view our [Expedited Order Program](#). To see all systems available, view our [Standard Lead Times](#).

## Streamline Your Solution

Through Serenity Complete, we offer a variety of systems complete with frame, track, door, and hardware. Hand selected to include the most popular combinations, this tailored collection ensures we have a system stocked and ready when you need it.



Available for Surface Mount System Only

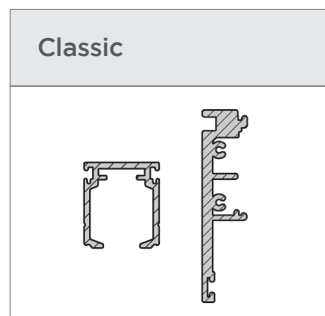
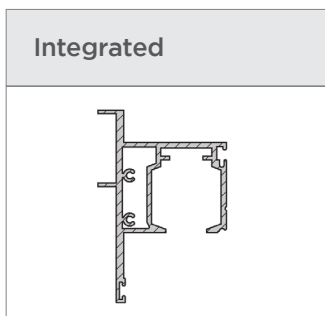
## Systems Tailored to Your Needs

Serenity Complete includes multiple options for sizes, finishes, hardware, and more, making it ideal for a wide range of projects. Choose from various design options and match selections to your needs.

## Questions on Customizing?

Our team is ready to help you find what's perfect for your project. Reach out to Serenity with any questions or to request a quote.

## Track + Backer



### Program Details

Ships within 8 weeks upon receipt of signed submittal. Expedited options may be available (6 weeks or less). Subject to inventory availability and order acceptance. Projects with up to 20 doors are typically eligible.

## Door Slabs

Veneer	Finish	Core	Cut
White Maple	Clear	SCL	Plain Sliced
White Maple	Unfinished	SCL	Plain Sliced
Natural Birch	Unfinished	SCL	Rotary Cut
White Birch	Clear	SCL	Plain Sliced
White Birch	Unfinished	SCL	Plain Sliced
Red Oak	Clear	SCL	Plain Sliced
Red Oak	Unfinished	SCL	Plain Sliced
White Oak	Clear	SCL	Plain Sliced
White Oak	Unfinished	SCL	Plain Sliced
HDF Hardboard	Primed Opaque	SCL	N/A

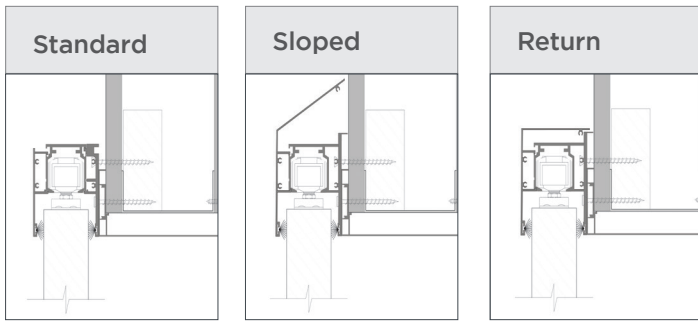
## Frame Finishes and Sizes

Clear Anodized	5"	5 1/4"	5 1/2"	6 1/8"	7 1/4"
Black Anodized	5"	5 1/4"	5 1/2"	6 1/8"	7 1/4"

## Sizes

C.O. = Clear Opening \ R.O. = Rough Opening

C.O. Width	Door Slab Width	R.O. Width
Up to 3' - 6"	Up to 4' - 0"	Up to 4' - 0"
C.O. Height	Door Slab Height	R.O. Height
Up to 7' - 0"	Up to 7' - 0"	Up to 7' - 1"

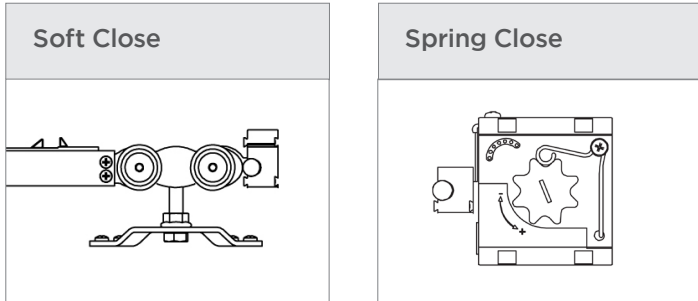


## Valances

The Standard Valance is ideal for a wide variety of applications.

The Sloped Valance provides easy access for cleaning, making it ideal for maintaining sterile environments.

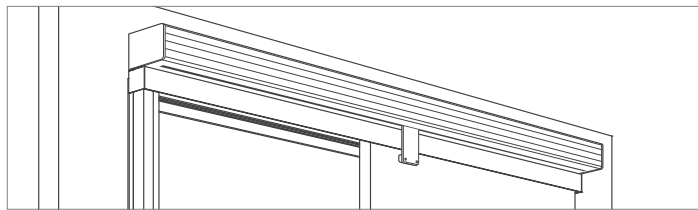
The Return Valance provides a more seamless design to achieve a cleaner look.



## Closers

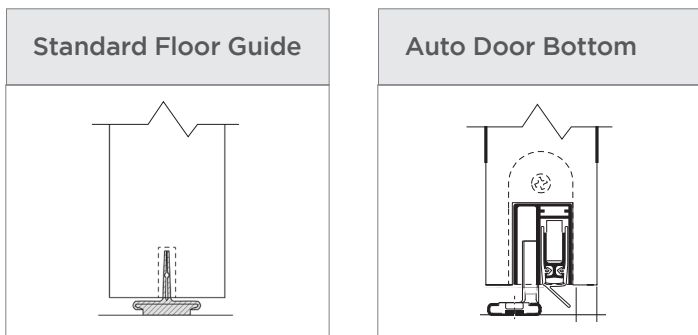
The Soft Close is used to bring the door to a smooth, quiet, and controlled stop when closing.

The Spring Close uses a self-closing mechanism to automatically pull the door to a closed position.



## Electric Operator

The Electric Operator mounts above Serenity's track system. It is low energy, fully programmable, and compatible with a variety of access control hardware such as electrified locks. Requires AAADM certified installer. Wiring and peripherals provided by others.



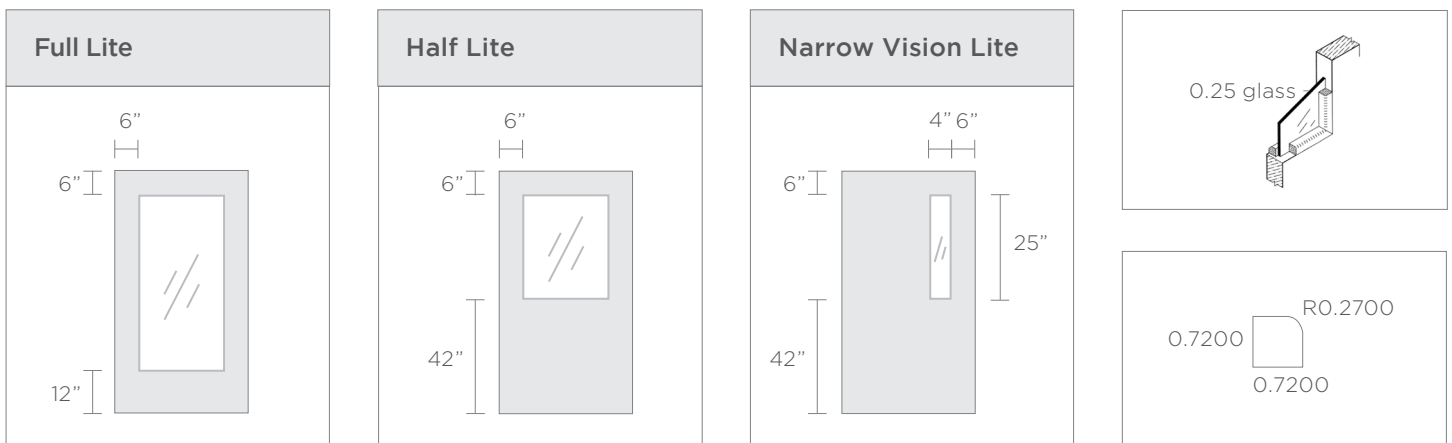
## Door Bottoms

The Standard Floor Guide mounts to the floor to keep the door slab in the proper position.






The Automatic Door Bottom is fully mortised within the bottom of the door and drops automatically when the door is closed.

## Lite Kits

Doors are available with no Lite, Full Lite, Half Lite, or a Narrow Vision Lite. Factory glazed 1/4" clear tempered glass is available for standard lite sizes. Custom sizes available with glass by others. Manufacturer's standard flush wood bead.

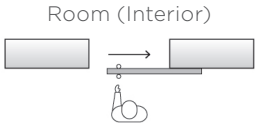
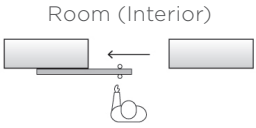
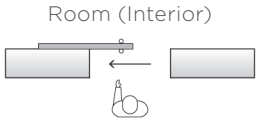
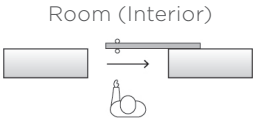


## Handles

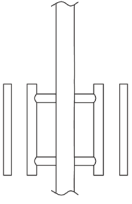
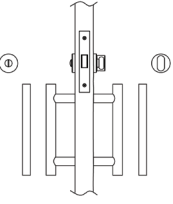
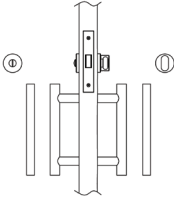
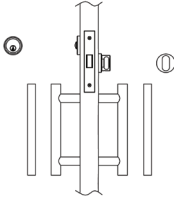
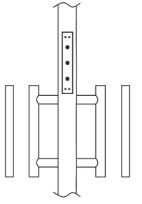
Back-To-Back Ladder Pulls		Levers			
					
12"	16"	202 Munich	205 Frankfurt	243 Sunrise	345 Tokyo

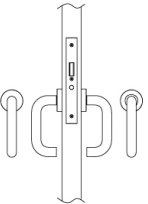
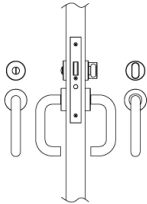
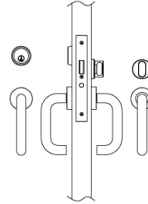
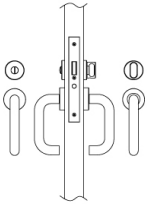
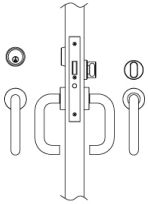
\*Pulls & levers available in US32D/630 Satin Stainless Steel or US19/622 Flat Black. Additional lever designs available upon request.

## Handing Chart

RH	LH	RHR	LHR
 <p>Room (Interior)</p> <p>Corridor (Exterior)</p>	 <p>Room (Interior)</p> <p>Corridor (Exterior)</p>	 <p>Room (Interior)</p> <p>Corridor (Exterior)</p>	 <p>Room (Interior)</p> <p>Corridor (Exterior)</p>

## Locks

Deadlocks with Back-To-Back Ladder Pulls				
				
<b>SD5310</b> Pulls Only Pulls Only with No Lock Case	<b>SD5340</b> Coin Turn Privacy with Emergency Release & ADA Thumbturn	<b>SD5340i</b> Privacy Indicator Privacy with Emergency Release, Indicator, & ADA Thumbturn	<b>SD5350</b> Keyed Lock Entry with Single Cylinder & ADA Thumbturn	<b>SD8035</b> Magnetic Lock Fail-safe, Dual Voltage 12/24 VDC

Auto Latching Mortise Locks			Electrified Mortise Locks	
				
SD9610 Passage	SD9640 Privacy	SD9650 Office	SD97PT40 Privacy	SD97PT50 Office



**Submit a Request to Get Started**

[www.SerenitySlidingDoor.com](http://www.SerenitySlidingDoor.com) | 719.212.6007 | [Info@SerenitySlidingDoor.com](mailto:Info@SerenitySlidingDoor.com)